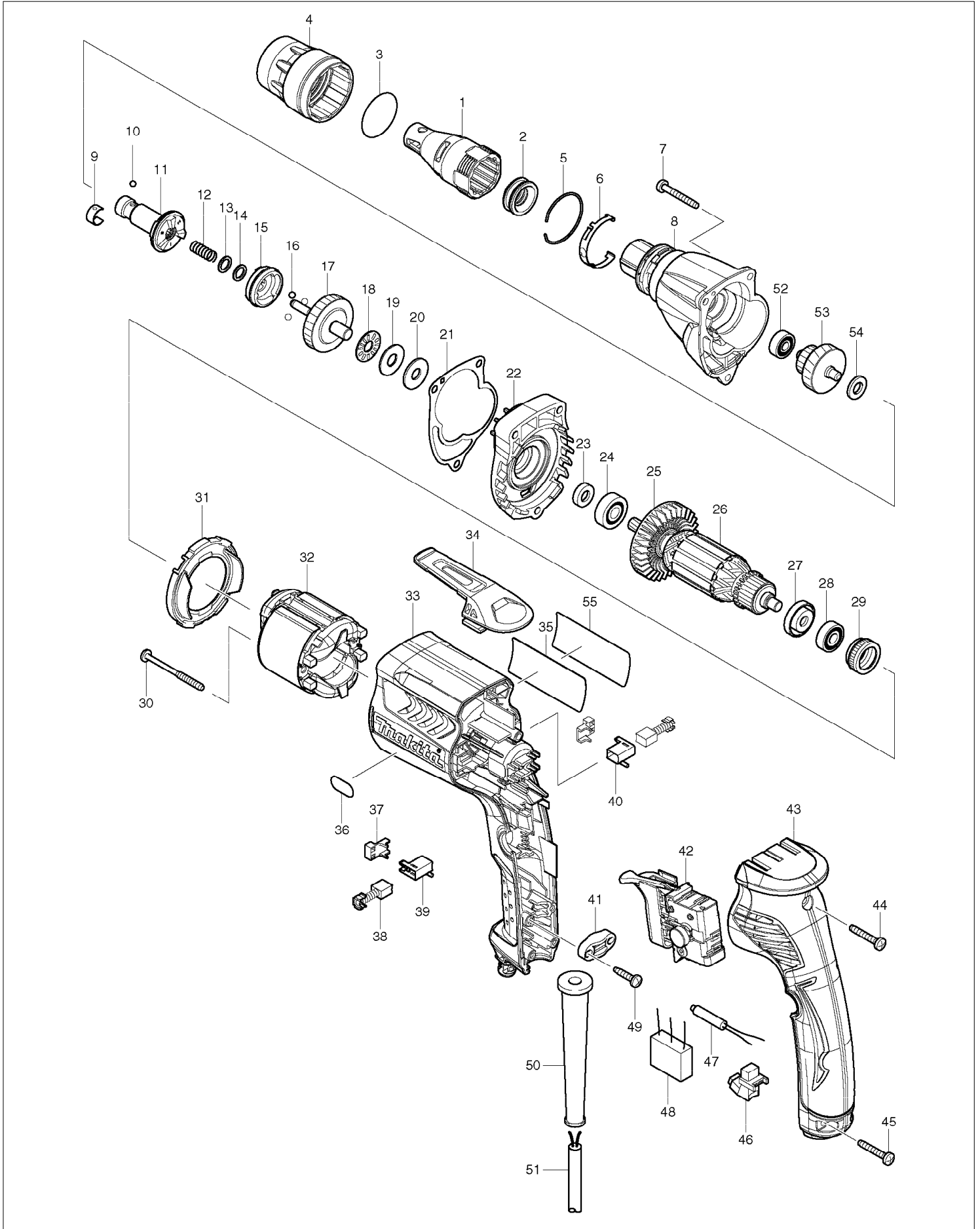


SERVICE DRAWING

MODEL NO. FS2300



SPARE PARTS LIST

MODEL NO. FS2300

ITEM	PART NO.	DESCRIPTION	QTY	NOTE
001	158875-2	LOCATOR S COMPLETE	1	
002	424163-2	DUST SEAL SLEEVE	1	
003	424235-3	SEAL RING 30	1	
004	450881-6	LOCK RING	1	
005	233974-2	RING SPRING 33	1	
006	232245-4	LEAF SPRING	1	
007	266361-0	TAPPING SCREW 4X30	3	
008	*****	*****	***	*****
009	232050-9	LEAF SPRING	1	
010	216001-0	STEEL BALL 3.5	1	
011	158886-7	SPINDLE 125S COMPLETE	1	
012	234121-8	COMPRESSEION SPRING 8	1	
013	267202-3	FLAT WASHER 8	1	
014	267202-3	FLAT WASHER 8	1	
015	223170-0	CLUTCH CAM 125S	1	
016	216008-6	STEEL BALL 4	3	
017	158891-4	SPUR GEAR 35S COMPLETE	1	
018	216415-3	THRUST NEEDLE GAUGE 821	1	
019	216212-7	WASHER 821	1	
020	261111-8	URETHANE WASHER 8	1	
021	442149-4	GASKET	1	
022	158982-1	GEAR HOUSING COVER COMPLETE	1	
023	451099-2	RING 7	1	
024	210007-0	BALL BEARING 608VV	1	
025	240083-0	FAN 52	1	
026	515764-8	ARMATURE ASSEMBLY 240V INC. 23-25,27,28	1	
027	681636-0	INSULATION WASHER	1	
028	210062-2	BALL BEARING 607ZZ	1	
029	421868-5	LABYRINTH RUBBER RING 19	1	
030	266467-4	TAPPING SCREW 4X50	2	
031	450880-8	BAFFLE PLATE	1	
032	633693-4	FIELD 220-240V	1	
033	450878-5	MOTOR HOUSING L	1	
034	162272-6	HOOK	1	
035	867019-0	FS2300 NAME PLATE	1	
036	808574-3	INDICATION LABEL	1	
037	689111-0	SPACER	2	
038	191962-4	CARBON BRUSH CB-419	1	
039	643952-8	BRUSH HOLDER	1	
040	643953-6	BRUSH HOLDER	1	
041	687124-5	STRAIN RELIEF	1	
042	650614-1	SWITCH	1	
043	158878-6	HANDLE COVER L COMPLETE	1	
044	266374-1	TAPPING SCREW 4X25	1	
045	266374-1	TAPPING SCREW 4X25	2	
046	631939-2	LIGHT CIRCUIT	1	
047	646122-8	CHOKE COIL	1	
048	645253-0	NOISE SUPPRESSOR	1	
049	265995-6	TAPPING SCREW 4X18	2	
050	682559-5	CORD GUARD 8	1	
051	695034-2	POWER SUPPLY CORD 1.0-2-4.0	1	
052	211012-0	BALL BEARING 606ZZ	1	
053	226157-1	GEAR COMPLETE 17-39	1	
054	267017-8	FLAT WASHER 8	1	
055	*****	*****	***	*****
056	423413-2	RUBBER PLATE	1	
A01	784261-7	+BIT 2-25	2	
A02	784811-8	MAGNETIC CONNECT BIT 6.35-60	1	